

福建福光数码科技有限公司
FUJIAN FORECAM OPTICS CO.,LTD.

PRODUCT SPECIFICATION

PRODUCT:	MTV Lens
ITEM NO.:	MTV6-IR-DH
CUSTOMER:	

CUSTOMER APPROVAL	SALES:
DATE / /	DATE / /

APPROVAL	CHECKED	MAKE
何武强	张林	许端霞

地址：中国福建福州马尾快安延伸区39号

Add:No.39 YANSHEN ZONE,KUAI AN ROAD,MAWEI,FUZHOU,FUJIAN,CHINA


邮编 (P.C) :350015

电话 (Tel) :0086-591-83982411

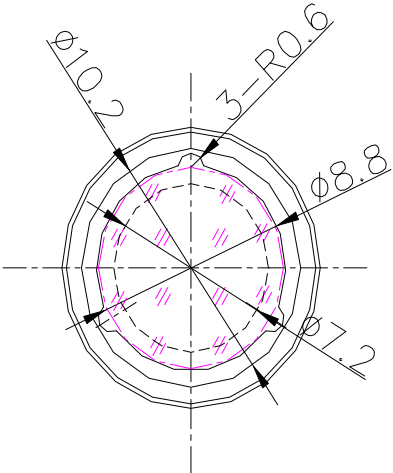
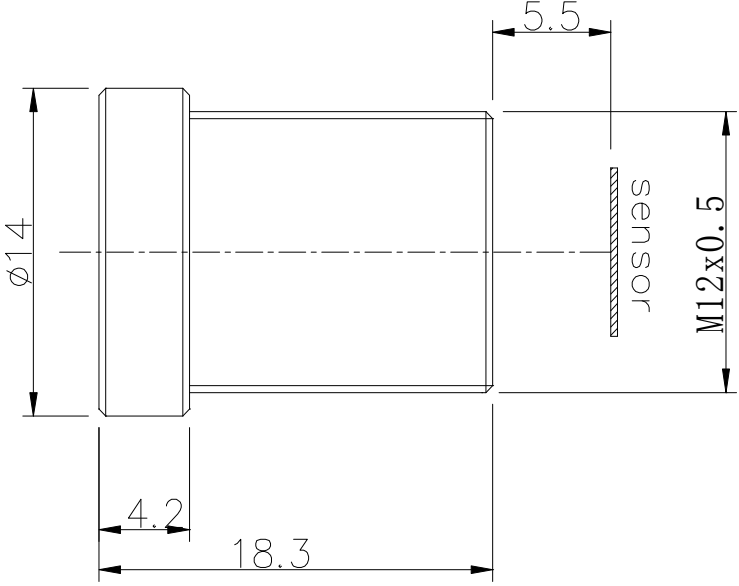
传真 (Fax) :0086-591-83302603

Http:www.forecam.com

E-mail:sales@forecam.com

Parameter of Lens		Photo (Just for Reference)	
Name	3 Mega pixel /IR		
Model No	MTV6-IR-DH		
Focal-Length(mm)	6		
Aperture(D/f')	1 /1.6		
Mount	M12x0.5		
Format(inch)	1/2.5"		
Field Angle	1/2.5"		D72°xH57.6°XV43.2°
	1/3"		D61°xH48.8°XV36.6°
Dimension(mm)	φ14x18.3		
Weight(g)	5.8		
M.O.D(m)	0.3		
Operation	Focus		-
	Zoom		-
	Iris	Fix	

Tolerance	Dimension	X_XX	X_X	X_	Unit
	Tolerance		±0.01	±0.05	±0.10

Size	Diagram	
		

Operating Parameters	Ambient Temperature	Relative Humidity (35°C)
	-20°C ~ +70°C	95%~98%

Adjustment of Fix Position

Fixing between mount and camera must be turned right toward camera to the end tightly. Lens must be turned counter-clockwise and you can adjust fix position of lens quite easily. Galvanometric meter must be positioned on left side toward front of camera when you fix lens to the camera. When you want to take lens off from camera, you must turn lens clockwise.

For 1/2.5" M12 Mount Camera

This lens is being designed for 1/2.5" CCD camera and mount is M12 type.